

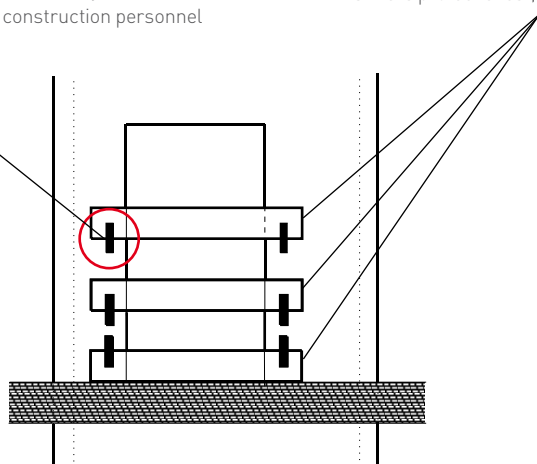
# SHAFT SAFETY

Mounting Bracket For Shaft Barriers Z-Shape	25
Mounting Bracket For Shaft Barriers U-Shape	25
Telescopic Beams	26
Light-Weight Multi-Purpose Barriers	27
Railing Clamps	27

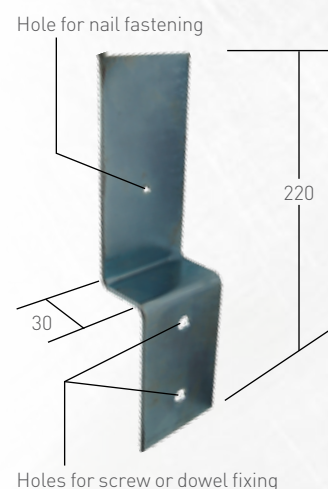
## MOUNTING BRACKET FOR SHAFT BARRIERS Z-SHAPE

Mounting bracket for the safe assembly of barriers at lift door openings to protect construction personnel

Barriers protect chest, knee, and foot sections



Details: Flat steel 60x3mm; 250mm long; galvanised; 3 borings

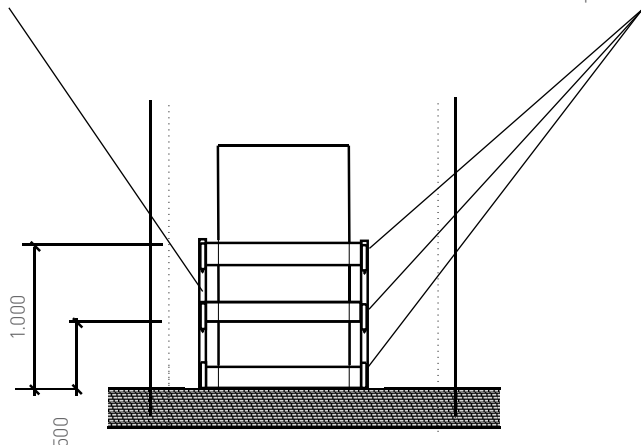


Item No.	Description
008 999 001	Z-shape mounting bracket , galvanised

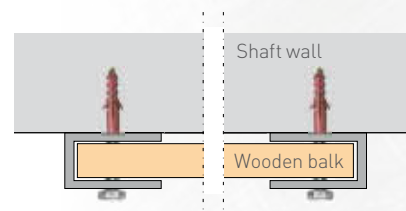
## MOUNTING BRACKET FOR SHAFT BARRIERS U-SHAPE

The u-shaped steel bracket is ideal for the safe fixing of required barriers at lift door openings to protect construction personnel. The need of only two fixing screws/dowels saves installation time.

Barriers protect chest, knee, and foot sections



Details: Profile steel 40x40x3 mm; 1.000 mm long; primed



Wooden balk lies atop of screwdowel

Item No.	Description
008999011	U-shape mounting bracket, primed, 40x40x3 mm, 1.000 mm long

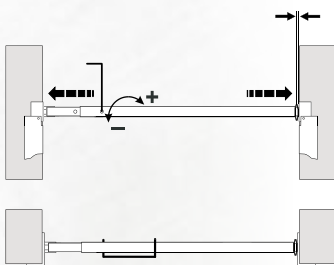
**Details:** Telescopic steel pipes with pivotal supports all galvanised; optional closure foil and intermediate spans made of synthetic material to protect lift shaft entrances



Variant 1: Partial lift shaft entrance protection



Variant 2: Extensive lift shaft entrance protection



Tensioning procedure

## TELESCOPIC BEAMS

### TO PROTECT LIFT SHAFT ENTRANCES

Telescopic beams with pressing mechanism allow the fast and safe protection of builders openings and lift doors. They can be used during work in unfinished buildings or for modernisation and repair work in existing buildings.

The telescopic beam meets the requirements of BGI 807/10.02 and BGG 928/04.94 of the German builders' trade association.

For the extensive protection of breakthroughs the telescopic beam can be upgraded with an additional closure foil, suitable in particular for door openings when performing scaffoldless lift installation. The closure foil is fixed by adding two holders to the telescopic beam (see components).

The kit consists of a telescopic beam with pivoting lateral protection posts and, on request, telescopic knee and foot protection elements.

**BENEFITS:** • The TÜV GS-seal guarantees a safe and approved solution • The telescopic design allows the system to be used for various openings ranging from • 700 to 1.100 mm (S0) and 1.000 to 1.650 mm (S1) • The system is easy to handle so that it meets the requirement of one-man assembly • Installation without drilling or dowels. The parts are easily and quickly clamped into place. • This allows the unit to be used especially in buildings where facades should not be damaged (e.g. during lift modernisation or repair work).

**COMPONENTS:** • Telescopic beam with pivotable supports, all made of galvanised steel. • telescopic intermediate spars made of PVC as knee and foot protection • translucent closure foil with reinforced mesh structure, 2.500x2.100 mm, upper end with fixing eyelets. Imprinted company logo upon request. • 2 foil holders for fastening of closure foil, simple plug-fixing to telescopic beam, max. height 2.300 mm • spacer made of galvanised steel for use in entrance scenarios without reveal • sturdy transport bag for easy handling

Item No.	Description
01506110001	Telescopic beam S0. For shaft entrance areas of 700 to 1.100 mm. Incl. 2 pivotable supports for intermediate spars fixing and transport bag.
01506165001	Telescopic beam S1. For shaft entrance areas of 1.000 to 1.650 mm. Incl. 2 pivotable supports for intermediate spars fixing and transport bag.
01512110001	Telescopic beam S0. For shaft entrance areas of 700 to 1.100 mm. Incl. 2 pivotable supports, 2 intermediate spars, 2 foil holders, 1 neutral closure foil and transport bag.
01512165001	Telescopic beam S1. For shaft entrance areas of 1.000 to 1.650 mm) Incl. 2 pivotable supports, 2 intermediate spars, 2 foil holders, 1 neutral closure foil and transport bag.
01511130001	Transport bag for configuration S0/S1
015999003	Imprint on closure foil
015999007	Spacer for telescopic beam

European Pat. 1052345



## LIGHT-WEIGHT MULTI-PURPOSE BARRIERS

The re-usable barrier systems are especially suitable to create a safe working environment during maintenance and modernisation of lifts and escalators in areas accessible to the public. The single panels are modular and can be linked together to enclose any shape or size area.

**BENEFITS:** • Warning colour yellow plus warning sign(s) • Robust • Easy cleaning • Usable indoors and outdoors • Fold away dimensions

**OPTIONAL:** • Customised number of panels • Customised warning signs and corporate logos • Base for higher stability



Item No.	Description
0081080097	Version 1 Barrier system with warning sign, 1 element
0082080097	Version 1 Barrier system with warning sign, 2 elements
0083080097	Version 1 Barrier system with warning sign, 3 elements
0084080097	Version 1 Barrier system with warning sign, 4 elements
0085080097	Version 1 Barrier system with warning sign, 5 elements
0086080097	Version 1 Barrier system with warning sign, 6 elements
0088080098	Version 1 Barrier system with warning sign, 8 elements
0081110110	Version 2 Barrier system with warning sign, 1 element
0082110110	Version 2 Barrier system with warning sign, 2 elements
0083110110	Version 2 Barrier system with warning sign, 3 elements
0084110110	Version 2 Barrier system with warning sign, 4 elements
0085110110	Version 2 Barrier system with warning sign, 5 elements
0086110110	Version 2 Barrier system with warning sign, 6 elements

### ACCESSORIES

Item No.	Description
008999017	Base for multi-purpose barrier version 1 + 2

## RAILING CLAMPS

Light railing clamps for clamping an area of 80–400 mm. The railing clamps can be clamped on the scaffold covering or on the longitudinal and cross bars.

**TECHNICAL FEATURES:** • Hot-galvanized for a long service life • Closed brackets to stop the side guard boards being lifted out • Dimensions of the side guard boards 15x3cm • Tested and approved by the trade association

Absolutely necessary for safe fall protection when working on conventional wooden scaffolds.

Other types available upon request.

Item No.	Description
008999008	Railing clamp, Clamping area 80–400 mm
008999009	Railing clamp, Clamping area 80–800 mm



**Details Version 1:**  
 Material: made of polyethylene  
 width: 970 mm  
 height: 800 mm  
 depth :30 mm  
 weight: 3 kg per panel  
 standard barrier design 3 panels



**Details Version 2:**  
 Material: made of polyethylene  
 width: 1.100 mm  
 height: 1.100 mm  
 depth: 30 mm  
 weight: 5.5 kg per panel  
 standard barrier design 3 panels

